

DCO #		REV.	REVISIONS DESCRIPTION	DATE	AUTHOR

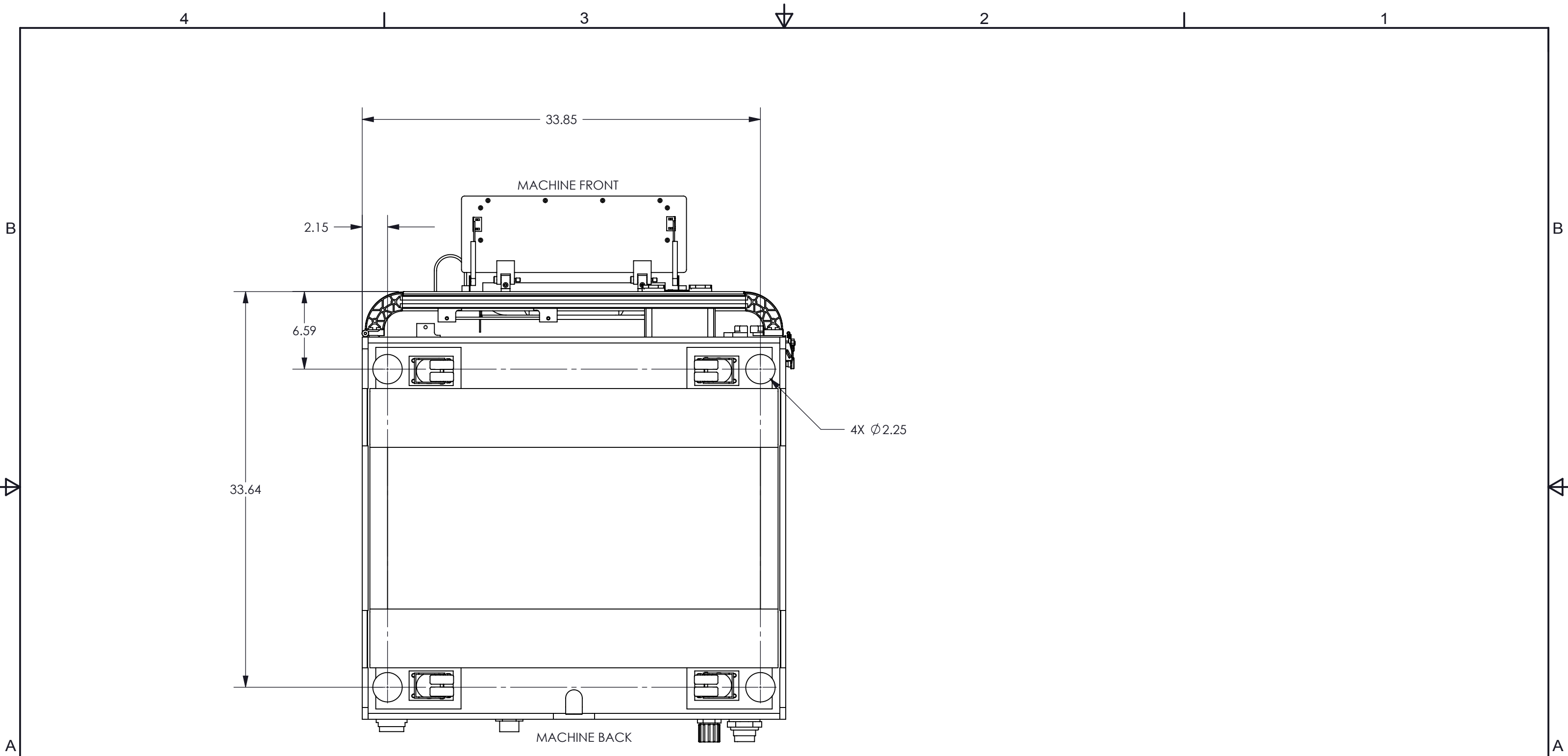
- FACILITY REQUIREMENTS**
- ① DI WATER SUPPLY INLET
SIZE: 1" FNPT
40 PSI, 5 GPM [18.9 LPM]
 - ② DI WATER SUPPLY RETURN
SIZE: 1/2" FNPT
 - ③ NH4 DRAIN
MATERIAL: PP
SIZE: 1" FNPT
 - ④ NH4 DISPENSE
MATERIAL: TEFLON
DOUBLE CONTAINMENT PASS-THRU
BATCH:
1/2" PROCESS LINE &
3/4" SECONDARY CONTAINMENT LINE
-OR-
SINGLE WAFER
1/4" PROCESS
1/2" SECONDARY CONTAINMENT LINE
 - ⑤ PLENUM DRAIN
MATERIAL: PP
SIZE: 3/4" FNPT
 - ⑥ NH3 BULK GAS
30 PSI, 600 SCCM
SIZE: 1/4" MALE VCR
 - ⑦ EXTERNAL POWER
208 VAC, 15A, THREE PHASE
(3W + N + G0, 50/60 HZ
STRAIN RELIEF
 - ⑧ HPN2 SUPPLY INLET
60-80 PSI, 1 SCFM PEAK
(DURING AMMONIA BOTTLE CHANGE-OUT)
10 SCFH CONTINUOUS (FILTERED TO 0.2 MICRON)
SIZE: 3/8" FNPT
 - ⑨ UN2 SUPPLY INLET
60-80 PSI, 20 SCFH
SIZE: 3/8" FNPT
 - ⑩ CDA SUPPLY INLET
75-80 PSI, 10 SCFM PEAK
(DURING AMMONIA BOTTLE CHANGE-OUT)
10 SCFH CONTINUOUS
SIZE: 3/8" FNPT
 - ⑪ DISPENSE INTERFACE CONNECTOR
14-PIN AMP CONNECTOR
 - ⑫ EXHAUST PRESSURE
0.5 in H2O COLUMN, 200-300 SCFH
CONNECTION: Ø6" ROUND TRNSITION

<p>INFORMATION CONTAINED IN THIS DOCUMENT IS CONFIDENTIAL TO NANO GREEN TECHNOLOGY, INC. REPRODUCTION OR TRANSMISSION OF ITS CONTENTS WITHOUT WRITTEN PERMISSION FROM NANO GREEN TECHNOLOGY, INC. IS PROHIBITED.</p>	<p>UNLESS OTHERWISE SPECIFIED DIMENSIONS ARE IN INCHES TOLERANCES ARE IN:</p>	
	<p>FRACTIONS +/- 1/32 ANGLES +/- 1/2°</p>	<p>DECIMALS .X +/- .032 .XX +/- .010 .XXX +/- .005</p>
	<p>Drawn by: TEDLY Detailed by: TEDLY</p>	<p>Drawn Date: 6/15/2007 Detailed Date: 04/05/2007</p>
<p>Material</p>	<p>Finish:</p>	<p>THIRD ANGLE PROJECTION</p>

Nano Green TECHNOLOGY 449 MOUNTAIN VISTA PKWAY LIVERMORE, CA 94551
Critical Cleaning Systems

TITLE: FACILITY REQUIREMENTS, CCS-1000 CRITICAL CLEANING SYSTEM

SIZE B	DWG NO 500-000-001-660	REV -
JOB #: N/A	SCALE: 1:16	SHEET 1 OF 2



BOTTOM VIEW
LEVELING FOOT DETAIL

INFORMATION CONTAINED IN THIS DOCUMENT IS CONFIDENTIAL TO NANO GREEN TECHNOLOGY, INC. REPRODUCTION OR TRANSMISSION OF ITS CONTENTS WITHOUT WRITTEN PERMISSION FROM NANO GREEN TECHNOLOGY, INC. IS PROHIBITED.	UNLESS OTHERWISE SPECIFIED DIMENSIONS ARE IN INCHES TOLERANCES ARE IN:	
	FRACTIONS +/- 1/32 ANGLES +/- 1/2°	
	DECIMALS .X +/- .032 .XX +/- .010 .XXX +/- .005	
	Drawn by: engin17 Drawn Date: 6/15/2007 Detailed by: TEDLY Detailed Date: 04/05/2007	
Material:	Finish:	

Nano Green 449 MOUNTAIN VISTA PKWAY
 TECHNOLOGY LIVERMORE, CA 94551
 Critical Cleaning Systems

TITLE: FACILITY REQUIREMENTS,
 CCS-1000 CRITICAL CLEANING
 SYSTEM

SIZE B	DWG NO 500-000-001-660	REV REV
JOB #: N/A	SCALE: 1:8	SHEET 2 OF 2